



The Brand RAINBOW ALUMINIUM EXTRUSION was founded in 1992.

The name of our long-standing enterprise hints of our area of expertise. We, RAINBOW ALUMINIUM EXTRUSION, are a railings manufacturer and supplier, widely accepted for introducing matchless quality and designer



array of railings, in Aluminium, Stainless Steel and Glass.

We are a perfectionist in introducing uniquely Aluminium Glass Railing, Modular Railing, Balcony Railing, Stainless Steel Balcony Railing, Glass Stair Railing, Glass Deck Railing, and other Railings. Each piece in our portfolio excellently showcase creativity of our designers, who put their imagination and strength in designing railings.

About Us ↗

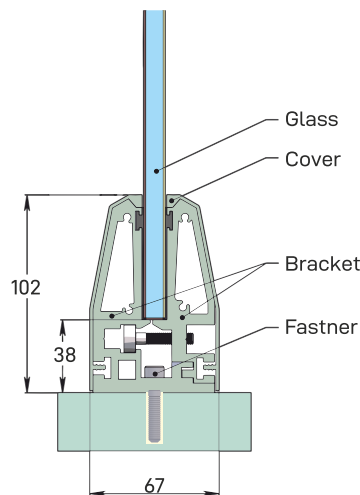


Frameless Top Mount

Essential

Step Bracket & Cover - RAB 01

Type	: Bracket & Cover System
Use	: Indoor & Outdoor
Material	: Aluminium Alloy 6063-T6
Length	: Step Bracket (65mm) Step Cover (13 ft./16 ft.)
Weight	: Step Bracket (Approx 0.460 gm.) Step Cover (Approx 0.200/0.220 gm.) (1 ft. / 1 side)
Finish	: Natural / Anodize / Powder Coating / PVDF Coating



Glass : 12 mm				
Recommended Railing Length Chart				
Glass Height	Balcony Length			
24 inch	10 ft	20 ft	30 ft	Unlimited
30 inch	10 ft	20 ft	30 ft	Unlimited
36 inch	10 ft	20 ft		
42 inch	10 ft			
Bracket will be fitted at every 2 feet				

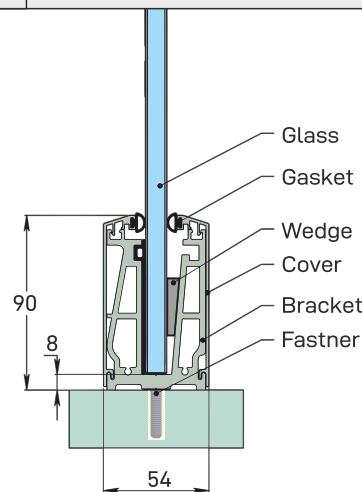
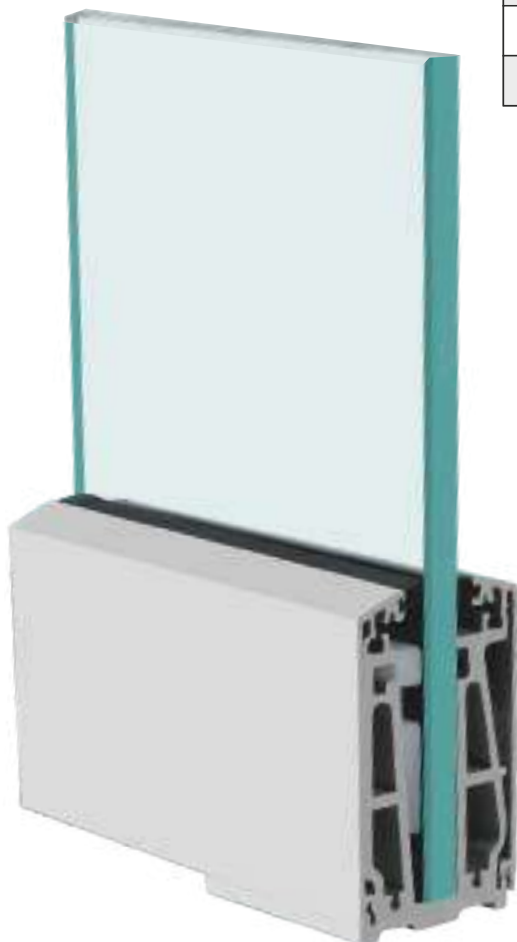


Frameless Top Mount

Essential

Square Bracket & Cover - RAB 02

Type	: Bracket & Cover System
Use	: Indoor & Outdoor
Material	: Aluminium Alloy 6063-T6
Length	: Square Bracket (65mm) Square Cover (13 ft./16 ft.)
Weight	: Square Bracket (Approx 0.250 gm.) Square Cover (Approx 0.180 gm.) (1 ft. / 1 side)
Epdm	: 0.020 gm. (1 ft.)
Finish	: Natural / Anodize / Powder Coating / PVDF Coating



End Cap Slotted Cap



Glass : 12 mm				
Recommended Railing Length Chart				
Glass Height	Balcony Length			
24 inch	10 ft	20 ft	30 ft	Unlimited
30 inch	10 ft	20 ft	30 ft	Unlimited
36 inch	10 ft	20 ft	30 ft	
42 inch	10 ft			
Bracket will be fitted at every 2 feet				

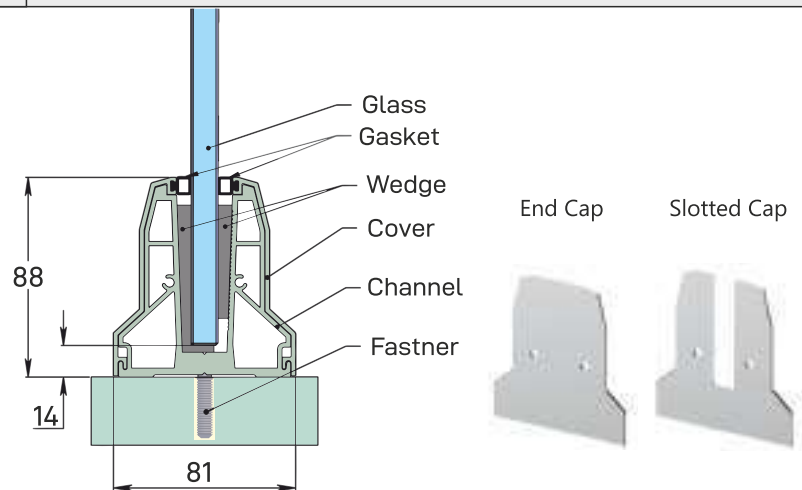


Frameless Top Mount

Essential

New Step Bracket & Cover - RAB 03

Type	: Bracket & Cover System
Use	: Indoor & Outdoor
Material	: Aluminium Alloy 6063-T6
Length	: Step Bracket (65mm) Step Cover (13 ft./16 ft.)
Weight	: Heavy Bracket (Approx 0.240 gm.) Heavy Cover (Approx 0.180/0.200 gm.) (1 ft. / 1 side)
Epdm	: 0.020 gm. (1 ft.)
Finish	: Natural / Anodize / Powder Coating / PVDF Coating



Glass : 12 mm				
Recommended Railing Length Chart				
Glass Height	Balcony Length			
24 inch	10 ft	20 ft	30 ft	Unlimited
30 inch	10 ft	20 ft	30 ft	Unlimited
36 inch	10 ft	20 ft	30 ft	Unlimited
42 inch	10 ft	20 ft	30 ft	Unlimited
Bracket will be fitted at every 2 feet				

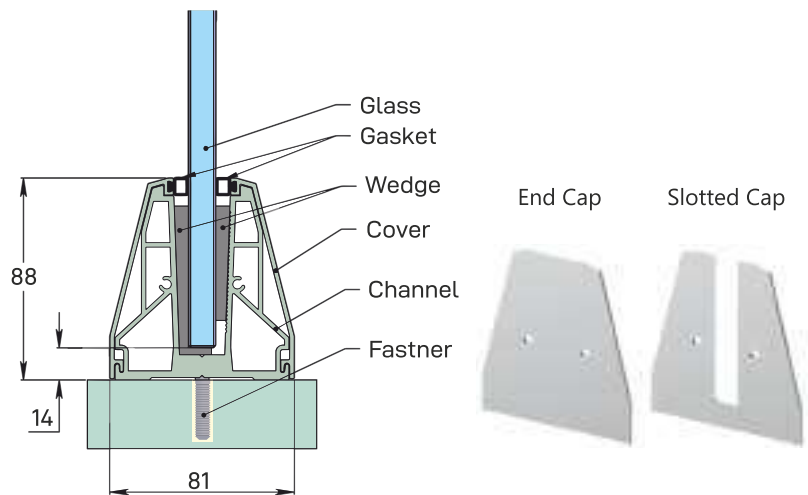
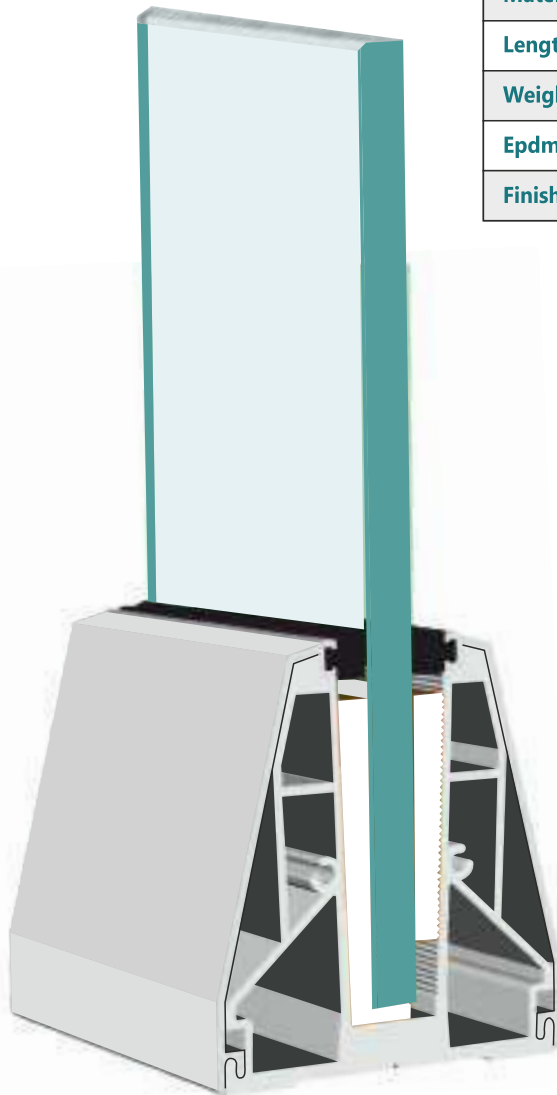


Frameless Top Mount

Essential

New Step Bracket & Cover - RAB 04

Type	: Bracket & Cover System
Use	: Indoor & Outdoor
Material	: Aluminium Alloy 6063-T6
Length	: Heavy Bracket (65mm) Heavy Cover (13 ft./16 ft.)
Weight	: Heavy Bracket (Approx 0.240 gm.) Heavy Cover (Approx 0.170/0.190 gm.) (1 ft. / 1 side)
Epdm	: 0.020 gm. (1 ft.)
Finish	: Natural / Anodize / Powder Coating / PVDF Coating



Glass : 12 mm				
Recommended Railing Length Chart				
Glass Height	Balcony Length			
24 inch	10 ft	20 ft	30 ft	Unlimited
30 inch	10 ft	20 ft	30 ft	Unlimited
36 inch	10 ft	20 ft	30 ft	Unlimited
42 inch	10 ft	20 ft	30 ft	Unlimited
Bracket will be fitted at every 2 feet				

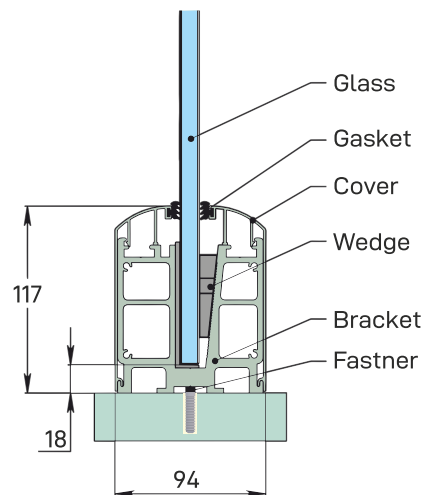


Frameless Top Mount

Essential

Heavy Round Bracket & Cover - RAB 05

Type	: Bracket & Cover System
Use	: Indoor & Outdoor
Material	: Aluminium Alloy 6063-T6
Length	: Round Bracket (65mm) Round Cover (13 ft./16 ft.)
Weight	: Round Bracket (Approx 0.480 gm.) Round Cover (Approx 0.220/0.240 gm.) (1 ft. / 1 side)
Epdm	: 0.020 gm. (1 ft.)
Finish	: Natural / Anodize / Powder Coating / PVDF Coating



End Cap

Slotted Cap



Glass : 12 mm				
Recommended Railing Length Chart				
Glass Height	Balcony Length			
24 inch	10 ft	20 ft	30 ft	Unlimited
30 inch	10 ft	20 ft	30 ft	Unlimited
36 inch	10 ft	20 ft	30 ft	Unlimited
42 inch	10 ft	20 ft	30 ft	
Bracket will be fitted at every 2 feet				

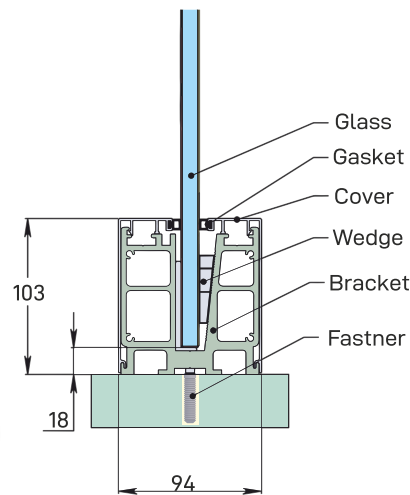


Frameless Top Mount

Essential

Heavy Square Bracket & Cover - RAB 06

Type	: Bracket & Cover System
Use	: Indoor & Outdoor
Material	: Aluminium Alloy 6063-T6
Length	: Heavy Square Bracket (65mm) Heavy Square Cover (13 ft./16 ft.)
Weight	: Heavy Square Bracket (Approx 0.480 gm.) Heavy Square Cover (Approx 0.200/0.220 gm.) (1 ft. / 1 side)
Epdm	: 0.020 gm. (1 ft.)
Finish	: Natural / Anodize / Powder Coating / PVDF Coating



End Cap

Slotted Cap



Glass : 12 mm				
Recommended Railing Length Chart				
Glass Height	Balcony Length			
24 inch	10 ft	20 ft	30 ft	Unlimited
30 inch	10 ft	20 ft	30 ft	Unlimited
36 inch	10 ft	20 ft	30 ft	Unlimited
42 inch	10 ft	20 ft	30 ft	
Bracket will be fitted at every 2 feet				

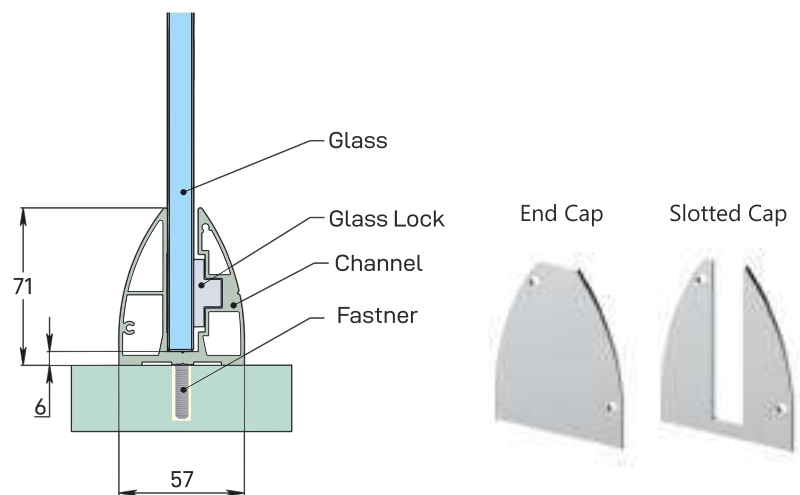


Frameless Top Mount

Essential

Regular Feri - RAB 07

Type	: Continuous Profile System
Use	: Indoor & Outdoor
Material	: Aluminium Alloy 6063-T6
Length	: 13 ft./16 ft.
Weight	: (Approx 0.780/0.800 gm.) (1 ft.)
Finish	: Natural / Anodize / Powder Coating / PVDF Coating



Glass : 12 mm				
Recommended Railing Length Chart				
Glass Height	Balcony Length			
24 inch	10 ft	20 ft	30 ft	Unlimited
30 inch	10 ft	20 ft	30 ft	Unlimited
36 inch	10 ft	20 ft		
42 inch	10 ft			

Anchor & Lock Patti will be fitted at every 2 feet

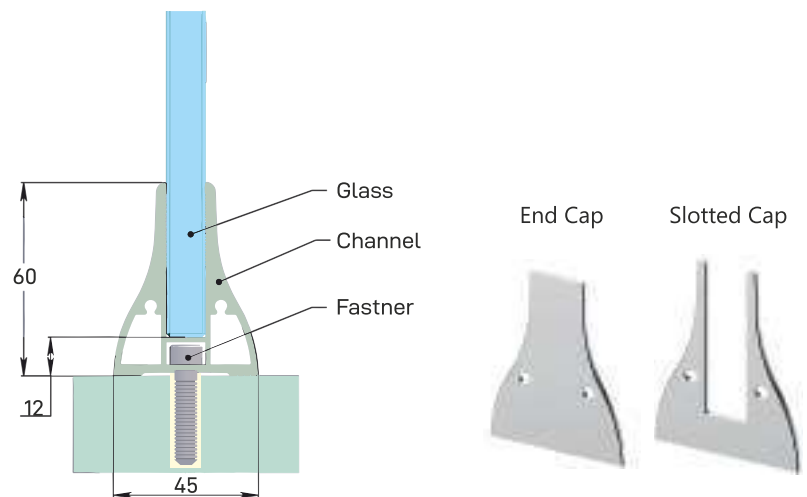


Frameless Top Mount

Essential

Commercial Feri - RAB 08

Type	: Continuous Profile System
Use	: Indoor & Outdoor
Material	: Aluminium Alloy 6063-T6
Length	: 13 ft./16 ft.
Weight	: (Approx 0.500/0.530 gm.) (1 ft.)
Finish	: Natural / Anodize / Powder Coating / PVDF Coating



Glass : 12 mm				
Recommended Railing Length Chart				
Glass Height	Balcony Length			
24 inch	10 ft	20 ft	30 ft	
30 inch	10 ft	20 ft		
36 inch	10 ft			
42 inch				
Anchor will be fitted at every 1 feet				

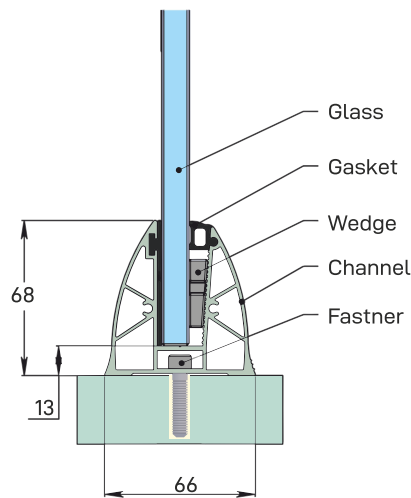


Frameless Top Mount

Essential

Modular Feri - RAB 09

Type	: Continuous Profile System
Use	: Indoor & Outdoor
Material	: Aluminium Alloy 6063-T6
Length	: 13 ft./16 ft.
Weight	: (Approx 0.580/0.630 gm.) (1 ft.)
Epdm	: 0.110 gm. (1 ft.)
Finish	: Natural / Anodize / Powder Coating / PVDF Coating



Glass : 12 mm				
Recommended Railing Length Chart				
Glass Height	Balcony Length			
24 inch	10 ft	20 ft	30 ft	Unlimited
30 inch	10 ft	20 ft	30 ft	Unlimited
36 inch	10 ft	20 ft		
42 inch	10 ft			

Anchor & Wedge will be fitted at every 2 feet

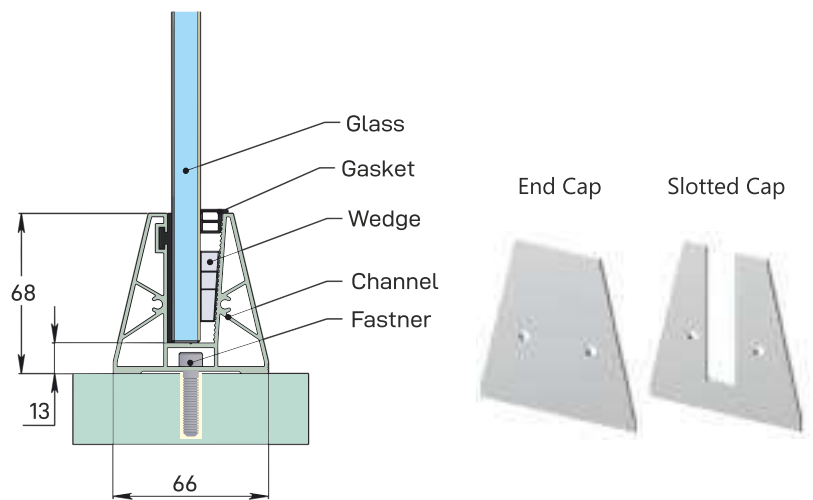


Frameless Top Mount

Essential

Triangle Feri - RAB 10

Type	: Continuous Profile System
Use	: Indoor & Outdoor
Material	: Aluminium Alloy 6063-T6
Length	: 13 ft./16 ft.
Weight	: (Approx 0.600/0.640 gm.)
Epdm	: 0.110 gm. (1 ft.)
Finish	: Natural / Anodize / Powder Coating / PVDF Coating



Glass : 12 mm				
Recommended Railing Length Chart				
Glass Height	Balcony Length			
24 inch	10 ft	20 ft	30 ft	Unlimited
30 inch	10 ft	20 ft	30 ft	Unlimited
36 inch	10 ft	20 ft		
42 inch	10 ft			

Anchor & Wedge will be fitted at every 2 feet

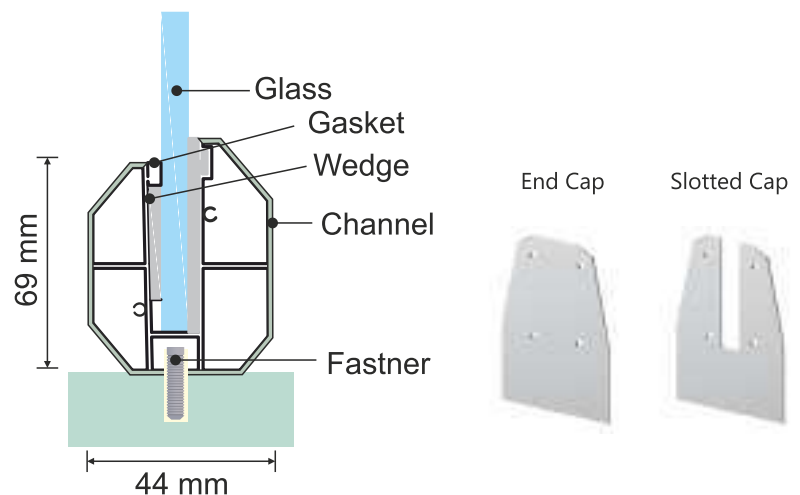


Frameless Top Mount

Essential

Step Feri - RAB 11

Type	: Continuous Profile System
Use	: Indoor & Outdoor
Material	: Aluminium Alloy 6063-T6
Length	: 13 ft./16 ft.
Weight	: (Approx 0.580/0.600 gm.) (1 ft.)
Epdm	: 0.110 gm. (1 ft.)
Finish	: Natural / Anodize / Powder Coating / PVDF Coating



Glass : 12 mm				
Recommended Railing Length Chart				
Glass Height	Balcony Length			
24 inch	10 ft	20 ft	30 ft	Unlimited
30 inch	10 ft	20 ft	30 ft	Unlimited
36 inch	10 ft	20 ft		
42 inch	10 ft			
Bracket will be fitted at every 2 feet				

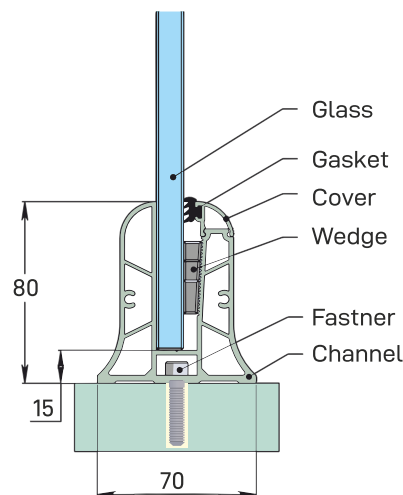


Frameless Top Mount

Essential

Clip Feri - RAB 12

Type	: Continuous Profile System
Use	: Indoor & Outdoor
Material	: Aluminium Alloy 6063-T6
Length	: 13 ft./16 ft.
Weight	: (Approx 0.850/0.900 gm.)
Epdm	: 0.020 gm. (1 ft.)
Finish	: Natural / Anodize / Powder Coating / PVDF Coating



End Cap Slotted Cap



Glass : 12 mm				
Recommended Railing Length Chart				
Glass Height	Balcony Length			
24 inch	10 ft	20 ft	30 ft	Unlimited
30 inch	10 ft	20 ft	30 ft	Unlimited
36 inch	10 ft	20 ft	30 ft	
42 inch	10 ft	20 ft		
Anchor & Wedge will be fitted at every 2 feet				

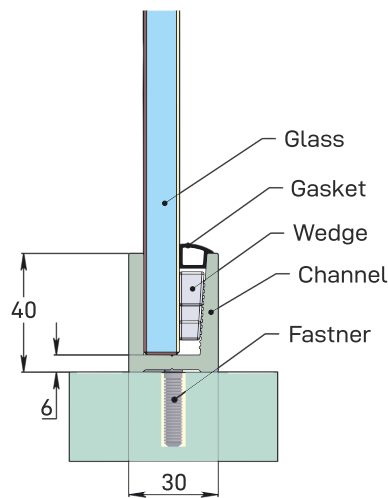


Frameless Top Mount

Essential

30X40 Continues Channel - RAB 13

Type	: Continuous Profile System
Use	: Indoor & Outdoor
Material	: Aluminium Alloy 6063-T6
Length	: 13 ft./16 ft.
Weight	: (Approx 0.400/0.440 gm.)
Epdm	: 0.060 gm. (1 ft.)
Finish	: Natural / Anodize / Powder Coating / PVDF Coating



End Cap Slotted Cap



Glass : 12 mm				
Recommended Railing Length Chart				
Glass Height	Balcony Length			
24 inch	10 ft	20 ft	30 ft	Unlimited
30 inch	10 ft	20 ft		
36 inch	10 ft			
42 inch				

Anchor & Wedge will be fitted at every 1 feet

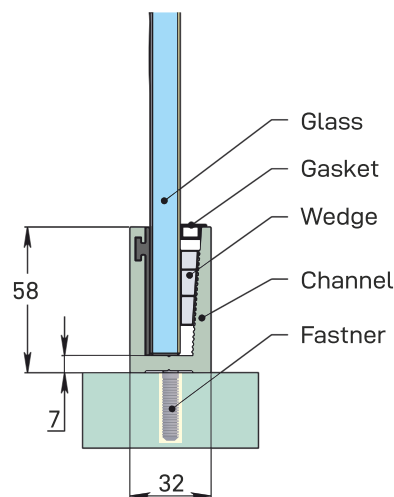


Frameless Top Mount

Essential

58X32 Continues Channel - RAB 14

Type	: Continuous Profile System
Use	: Indoor & Outdoor
Material	: Aluminium Alloy 6063-T6
Length	: 13 ft./16 ft.
Weight	: (Approx 0.630/0.660 gm.)
Epdm	: 0.080 gm. (1 ft.)
Finish	: Natural / Anodize / Powder Coating / PVDF Coating



Glass : 12 mm				
Recommended Railing Length Chart				
Glass Height	Balcony Length			
24 inch	10 ft	20 ft	30 ft	Unlimited
30 inch	10 ft	20 ft	30 ft	
36 inch	10 ft	20 ft		
42 inch				

Anchor & Wedge will be fitted at every 2 feet

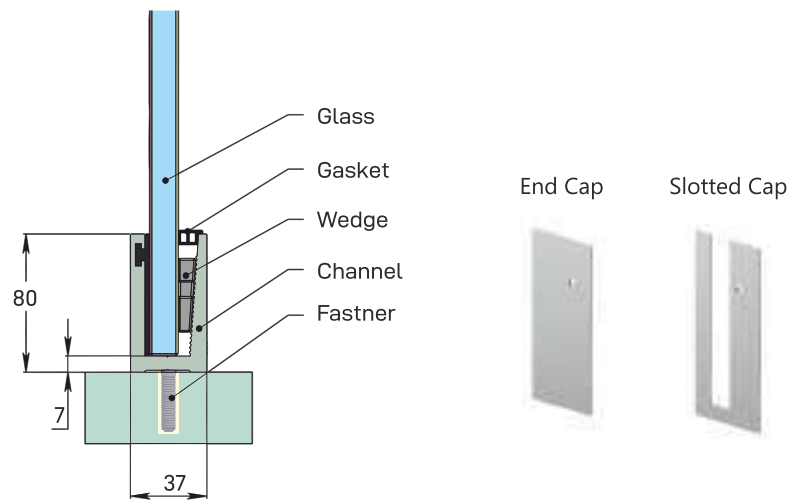


Frameless Top Mount

Essential

80X37 Continues Channel - RAB 15

Type	: Continuous Profile System
Use	: Indoor & Outdoor
Material	: Aluminium Alloy 6063-T6
Length	: 13 ft./16 ft.
Weight	: (Approx 0.900/0.930 gm.)
Epdm	: 0.120 gm. (1 ft.)
Finish	: Natural / Anodize / Powder Coating / PVDF Coating



Glass : 12 mm				
Recommended Railing Length Chart				
Glass Height	Balcony Length			
24 inch	10 ft	20 ft	30 ft	Unlimited
30 inch	10 ft	20 ft	30 ft	Unlimited
36 inch	10 ft	20 ft	30 ft	
42 inch	10 ft	20 ft		

Anchor & Wedge will be fitted at every 2 feet

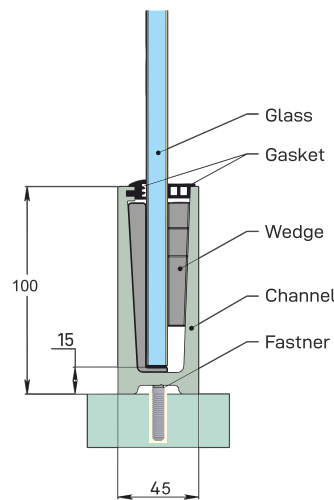


Frameless Top Mount

Essential

100X45 Continues Channel - RAB 16

Type	: Continuous Profile System
Use	: Indoor & Outdoor
Material	: Aluminium Alloy 6063-T6
Length	: 13 ft./16 ft.
Weight	: (Approx 1.290/1.330 kg.)
Epdm	: 0.110 gm. (1 ft.)
Finish	: Natural / Anodize / Powder Coating / PVDF Coating



End Cap

Slotted Cap



Glass : 12 mm				
Recommended Railing Length Chart				
Glass Height	Balcony Length			
24 inch	10 ft	20 ft	30 ft	Unlimited
30 inch	10 ft	20 ft	30 ft	Unlimited
36 inch	10 ft	20 ft	30 ft	Unlimited
42 inch	10 ft	20 ft	30 ft	
Anchor & Wedge will be fitted at every 2 feet				

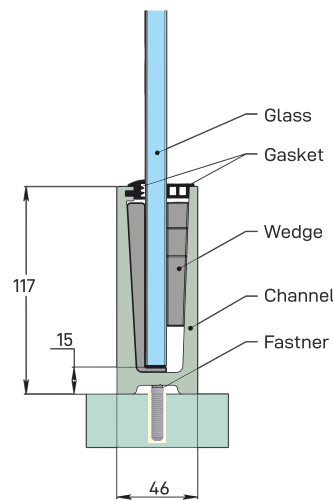


Frameless Top Mount

Essential

117X46 Continues Channel - RAB 17

Type	: Continuous Profile System
Use	: Indoor & Outdoor
Material	: Aluminium Alloy 6063-T6
Length	: 12 ft.
Weight	: (Approx 1.670/1.700 kg.)
Epdm	: 0.110 gm. (1 ft.)
Finish	: Natural / Anodize / Powder Coating / PVDF Coating



End Cap

Slotted Cap



Glass : 12 mm				
Recommended Railing Length Chart				
Glass Height	Balcony Length			
24 inch	10 ft	20 ft	30 ft	Unlimited
30 inch	10 ft	20 ft	30 ft	Unlimited
36 inch	10 ft	20 ft	30 ft	Unlimited
42 inch	10 ft	20 ft	30 ft	
Anchor & Wedge will be fitted at every 2 feet				

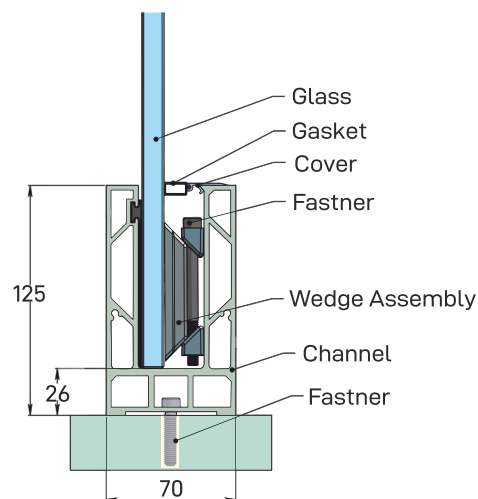


Frameless Top Mount

Essential

125X70 Continuous Channel - RAB 18

Type	: Continuous Profile System
Use	: Indoor & Outdoor
Material	: Aluminium Alloy 6063-T6
Length	: 12 ft.
Weight	: (Approx 1.700/1.730 kg.)
Epdm	: 0.150 gm. (1 ft.)
Finish	: Natural / Anodize / Powder Coating / PVDF Coating



End Cap

Slotted Cap



Glass : 12 mm, 16 mm, 25 mm				
Recommended Railing Length Chart				
Glass Height	Balcony Length			
24 inch	10 ft	20 ft	30 ft	Unlimited
30 inch	10 ft	20 ft	30 ft	Unlimited
36 inch	10 ft	20 ft	30 ft	
42 inch	10 ft	20 ft		
Anchor & Wedge will be fitted at every 2 feet				

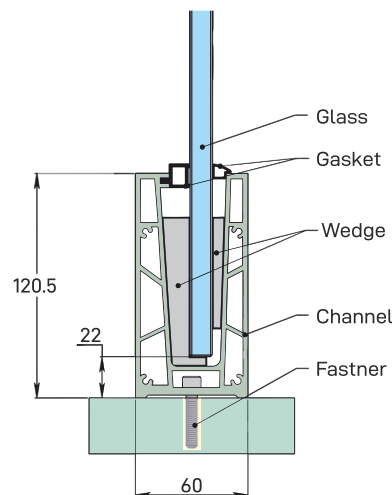
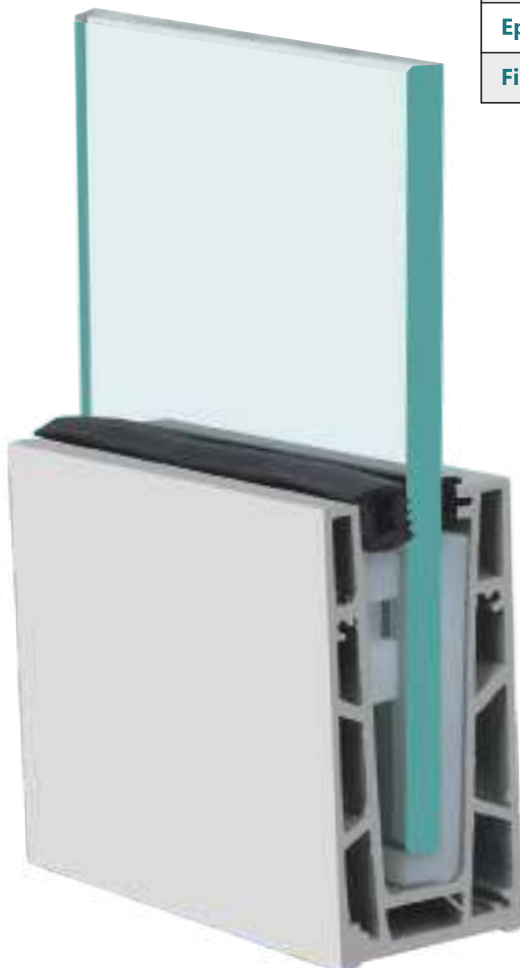


Frameless Top Mount

Essential

120X60 Continues Channel - RAB 19

Type	: Continuous Profile System
Use	: Indoor & Outdoor
Material	: Aluminium Alloy 6063-T6
Length	: 13 ft./16 ft.
Weight	: (Approx 1.520/1.550 kg.)
Epdm	: 0.110 gm. (1 ft.)
Finish	: Natural / Anodize / Powder Coating / PVDF Coating



End Cap

Slotted Cap



Glass : 12 mm, 16 mm				
Recommended Railing Length Chart				
Glass Height	Balcony Length			
24 inch	10 ft	20 ft	30 ft	Unlimited
30 inch	10 ft	20 ft	30 ft	Unlimited
36 inch	10 ft	20 ft	30 ft	Unlimited
42 inch	10 ft	20 ft	30 ft	Unlimited
Anchor & Wedge will be fitted at every 2 feet				

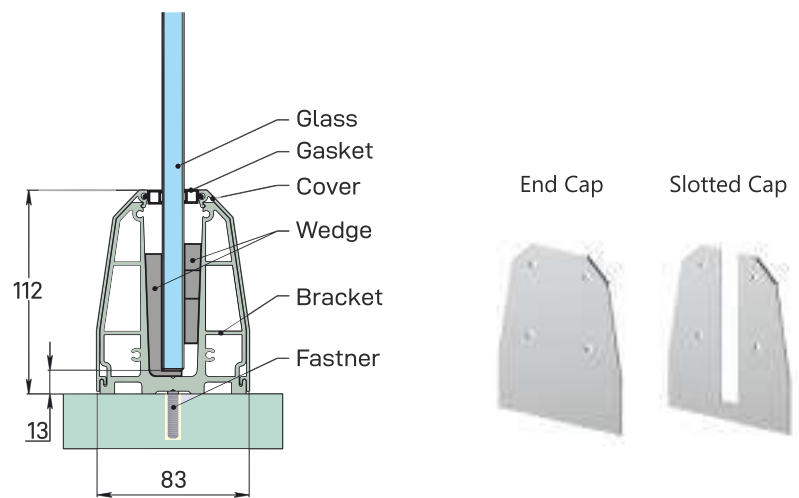


Frameless Top Mount

Essential

Modular Step Bracket & Cover - RAB 20

Type	: Bracket & Cover System
Use	: Indoor & Outdoor
Material	: Aluminium Alloy 6063-T6
Length	: 12 ft.
Weight	: Continues Profile (1.430/1.480 gm.) (1 ft.)
Epdm	: 0.060 gm. (1 ft.)
Finish	: Natural / Anodize / Powder Coating / PVDF Coating



Glass : 12 mm, 16 mm				
Recommended Railing Length Chart				
Glass Height	Balcony Length			
24 inch	10 ft	20 ft	30 ft	Unlimited
30 inch	10 ft	20 ft	30 ft	Unlimited
36 inch	10 ft	20 ft	30 ft	Unlimited
42 inch	10 ft	20 ft		
Bracket will be fitted at every 2 feet				

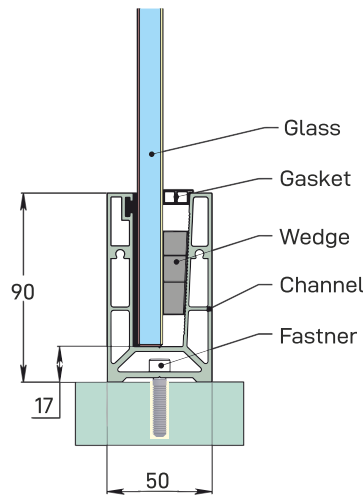


Frameless Top Mount

Essential

90X50 Continues Channel - RAB 21

Type	: Continuous Profile System
Use	: Indoor & Outdoor
Material	: Aluminium Alloy 6063-T6
Length	: 13 ft./16 ft.
Weight	: (Approx 0.900/0.950 gm.)
Epdm	: 0.120 gm. (1 ft.)
Finish	: Natural / Anodize / Powder Coating / PVDF Coating



End Cap Slotted Cap



Glass : 12 mm				
Recommended Railing Length Chart				
Glass Height	Balcony Length			
24 inch	10 ft	20 ft	30 ft	Unlimited
30 inch	10 ft	20 ft	30 ft	Unlimited
36 inch	10 ft	20 ft	30 ft	
42 inch	10 ft	20 ft		

Anchor & Wedge will be fitted at every 2 feet

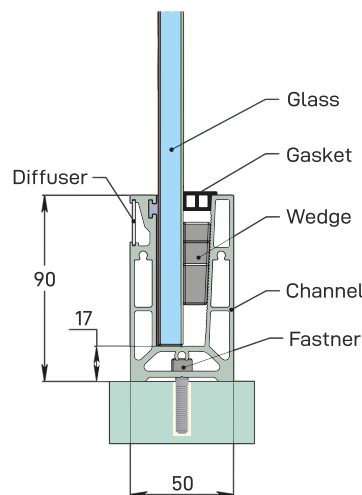


Frameless Top Mount

Essential

90X40 Continues LED Channel - RAB 22

Type	: Continuous Profile System
Use	: Indoor & Outdoor
Material	: Aluminium Alloy 6063-T6
Length	: 13 ft./16 ft.
Weight	: (Approx 0.900/0.950 gm.)
Epdm	: 0.120 gm. (1 ft.)
Finish	: Natural / Anodize / Powder Coating / PVDF Coating



End Cap

Slotted Cap



Glass : 12 mm				
Recommended Railing Length Chart				
Glass Height	Balcony Length			
24 inch	10 ft	20 ft	30 ft	Unlimited
30 inch	10 ft	20 ft	30 ft	Unlimited
36 inch	10 ft	20 ft	30 ft	
42 inch	10 ft	20 ft		
Bracket will be fitted at every 1 feet				

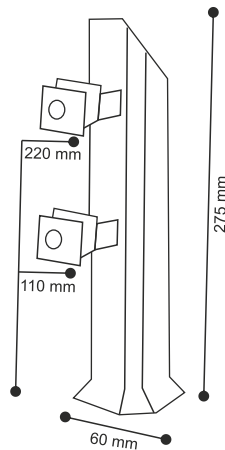


Frameless Top Mount

Essential

F Bracket - RAP 01

Type	: Bracket System
Use	: Indoor & Outdoor
Material	: Aluminium Alloy 6063-T6
Height	: 11 Inch
Weight	: Bracket (Approx 1.200 kg.)
Finish	: Natural / Powder Coating / Woden Coating



Glass : 12 mm			
Recommended Railing Length Chart			
Glass Height	Balcony Length		
24 inch	10 ft	20 ft	30 ft
30 inch	10 ft	20 ft	30 ft
36 inch	10 ft	20 ft	
42 inch			

Anchor & Wedge will be fitted at every 2 feet



Frameless Top Mount

Essential

Triangle Bracket - RAP 02



Type	: Bracket System
Use	: Indoor & Outdoor
Material	: Aluminium Alloy 6063-T6
Height	: 11 Inch
Weight	: Bracket (Approx 1.200 kg.)
Finish	: Natural / Powder Coating / Woden Coating

Glass : 12 mm				
Recommanded Railing Length Chart				
Glass Height	Balcony Length			
24 inch	10 ft	20 ft	30 ft	Unlimited
30 inch	10 ft	20 ft	30 ft	Unlimited
Bracket will be fitted at every 2 feet				



Frameless Top Mount

Essential

Kite Bracket - RAP 03

Type	: Bracket System
Use	: Indoor & Outdoor
Material	: Aluminium Alloy 6063-T6
Height	: 6 Inch
Weight	: Bracket (Approx 0.300 kg.)
Finish	: Natural / Powder Coating / Woden Coating



Glass : 12 mm				
Recommended Railing Length Chart				
Glass Height	Balcony Length			
24 inch	10 ft	20 ft	30 ft	Unlimited
30 inch	10 ft	20 ft	30 ft	Unlimited
Bracket will be fitted at every 2 feet				

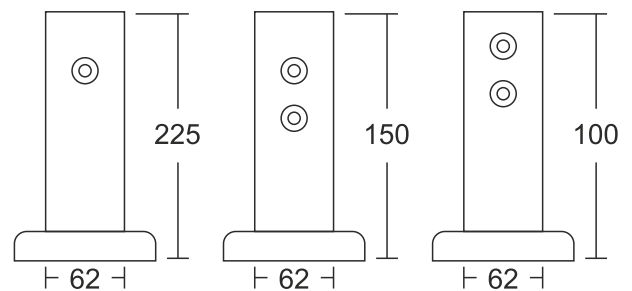


Frameless Top Mount

Essential

Sqaure Spigot - RAP 04

Type	: Bracket System
Use	: Indoor & Outdoor
Material	: Aluminium Alloy 6063-T6
Height	: 9 Inch / 6 Inch / 4 Inch
Weight	: Spigot 9 Inch 1.200 kg. / 6 Inch 0.780 gm. / 4 Inch 0.520 gm.
Finish	: Natural / Powder Coating / Woden Coating



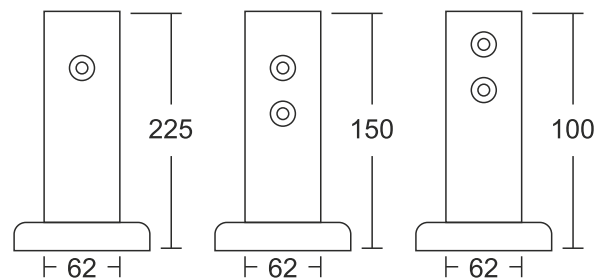


Frameless Top Mount

Essential

Oval Spigot - RAP 05

Type	: Bracket System
Use	: Indoor & Outdoor
Material	: Aluminium Alloy 6063-T6
Height	: 9 Inch / 6 Inch / 4 Inch
Weight	: Spigot 9 Inch 1.270 kg. / 6 Inch 0.800 gm. / 4 Inch 0.520 gm.
Finish	: Natural / Anodize / Powder Coating / Woden Coating



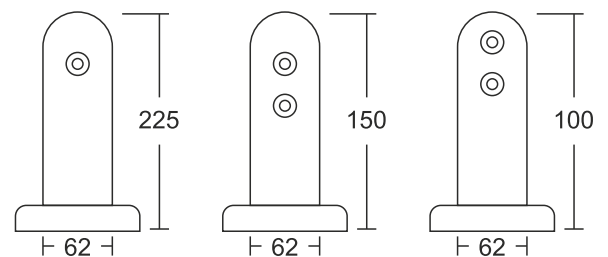


Frameless Top Mount

Essential

Round Spigot - RAP 06

Type	: Bracket System
Use	: Indoor & Outdoor
Material	: Aluminium Alloy 6063-T6
Height	: 9 Inch / 6 Inch / 4 Inch
Weight	: Spigot 9 Inch 0.970 kg. / 6 Inch 0.620 gm. / 4 Inch 0.400 gm.
Finish	: Natural / Anodize / Powder Coating / Woden Coating



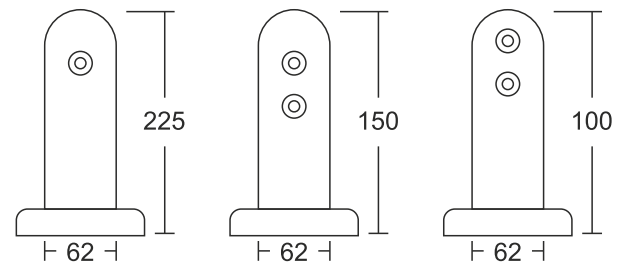


Frameless Top Mount

Essential

Six Step Spigot - RAP 07

Type	: Bracket System
Use	: Indoor & Outdoor
Material	: Aluminium Alloy 6063-T6
Height	: 9 Inch / 6 Inch / 4 Inch
Weight	: Spigot 9 Inch 1.150 kg. / 6 Inch 0.720 gm. / 4 Inch 0.300 gm.
Finish	: Natural / Anodize / Powder Coating / Woden Coating





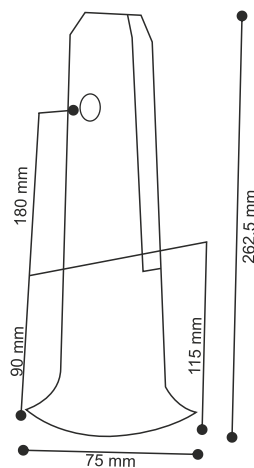
Frameless Top Mount

Essential

Taper Round Spigot - RAP 08



Type	: Bracket System
Use	: Indoor & Outdoor
Material	: Aluminium Alloy 6063-T6
Height	: 10.5 Inch
Weight	: Bracket (Approx 0.950 kg.)
Finish	: Natural / Powder Coating / Woden Coating



Glass : 12 mm				
Recommended Railing Length Chart				
Glass Height	Balcony Length			
24 inch	10 ft	20 ft	30 ft	Unlimited
30 inch	10 ft	20 ft	30 ft	Unlimited
36 inch	10 ft	20 ft		
42 inch	10 ft			
Bracket will be fitted at every 2 feet				



Frameless Top Mount

Essential

Long Square Spigot - RAP 09



Type	: Bracket System
Use	: Indoor & Outdoor
Material	: Aluminium Alloy 6063-T6
Length	: 9 Inch
Finish	: Natural / Powder Coating / Woden Coating

Glass : 12 mm				
Recommanded Railing Length Chart				
Glass Height	Balcony Length			
24 inch	10 ft	20 ft	30 ft	Unlimited
30 inch	10 ft	20 ft	30 ft	Unlimited

Bracket will be fitted at every 2 feet



Frameless Top Mount

Essential

Trophy Spigot - RAP 10



Type	: Bracket System
Use	: Indoor & Outdoor
Material	: Aluminium Alloy 6063-T6
Length	: 9 Inch
Finish	: Natural / Powder Coating / Woden Coating

Glass : 12 mm				
Recommended Railing Length Chart				
Glass Height	Balcony Length			
24 inch	10 ft	20 ft	30 ft	Unlimited
30 inch	10 ft	20 ft	30 ft	Unlimited

Bracket will be fitted at every 2 feet



Frameless Top Mount

Essential

50 x 40 mm Spigot - RAP 11

Type	: Bracket System
Use	: Indoor & Outdoor
Material	: Aluminium Alloy 6063-T6
Length	: 9 Inch
Finish	: Natural / Powder Coating / Woden Coating



Glass : 12 mm				
Recommanded Railing Length Chart				
Glass Height	Balcony Length			
24 inch	10 ft	20 ft	30 ft	Unlimited
30 inch	10 ft	20 ft	30 ft	Unlimited

Bracket will be fitted at every 2 feet



Frameless Top Mount

Essential

Half Round Spigot - RAP 12



Type	: Bracket System
Use	: Indoor & Outdoor
Material	: Aluminium Alloy 6063-T6
Length	: 9 Inch
Finish	: Natural / Powder Coating / Woden Coating

Glass : 12 mm				
Recommanded Railing Length Chart				
Glass Height	Balcony Length			
24 inch	10 ft	20 ft	30 ft	Unlimited
30 inch	10 ft	20 ft	30 ft	Unlimited

Bracket will be fitted at every 2 feet



Frameless Top Mount

Essential

Triangle Spigot - RAP 13



Type	: Bracket System
Use	: Indoor & Outdoor
Material	: Aluminium Alloy 6063-T6
Length	: 9 Inch
Finish	: Natural / Powder Coating / Woden Coating

Glass : 12 mm				
Recommanded Railing Length Chart				
Glass Height	Balcony Length			
24 inch	10 ft	20 ft	30 ft	Unlimited
30 inch	10 ft	20 ft	30 ft	Unlimited
Bracket will be fitted at every 2 feet				

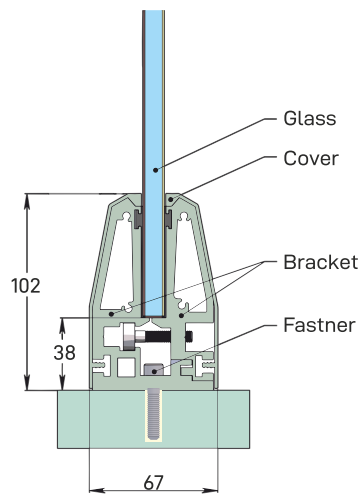


Frameless Top Mount

Essential

Step Cover Bracket - RAR 01

Type	: Bracket System
Use	: Indoor & Outdoor
Material	: Aluminium Alloy 6063-T6
Length	: Bracket (65mm)
Weight	: Step Bracket (Approx 0.680 gm.)
Finish	: Natural / Powder Coating / PVDF Coating



End Cap Slotted Cap



Glass : 12 mm				
Recommended Railing Length Chart				
Glass Height	Balcony Length			
24 inch	10 ft	20 ft	30 ft	Unlimited
30 inch	10 ft	20 ft	30 ft	
36 inch	10 ft	20 ft		
42 inch	10 ft			
Bracket will be fitted at every 2 feet				

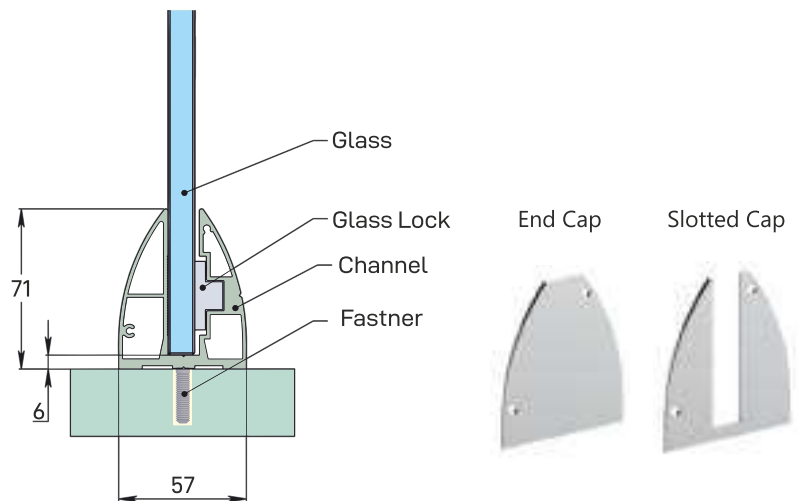


Frameless Top Mount

Essential

Feri Bracket - RAR 02

Type	: Bracket System
Use	: Indoor & Outdoor
Material	: Aluminium Alloy 6063-T6
Length	: Bracket (75mm)
Weight	: Feri Bracket (Approx 0.220 gm.)
Finish	: Natural / Anodize / Powder Coating / PVDF Coating



Glass : 12 mm				
Recommended Railing Length Chart				
Glass Height	Balcony Length			
24 inch	10 ft	20 ft	30 ft	Unlimited
30 inch	10 ft	20 ft	30 ft	
36 inch	10 ft	20 ft		
42 inch	10 ft			
Bracket will be fitted at every 2 feet				

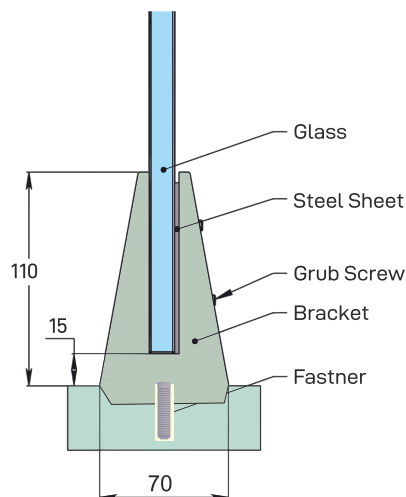


Frameless Top Mount

Essential

Diamond Bracket - RAR 03

Type	: Bracket System
Use	: Indoor & Outdoor
Material	: Aluminium Alloy 6063-T6
Weight	: (Approx 0.690 kg.)
Finish	: Natural / Powder Coating / Woden Coating



Glass : 12 mm				
Recommended Railing Length Chart				
Glass Height	Balcony Length			
24 inch	10 ft	20 ft	30 ft	Unlimited
30 inch	10 ft	20 ft	30 ft	
36 inch	10 ft	20 ft		
42 inch	10 ft			
Bracket will be fitted at every 2 feet				



Frameless Top Mount

Essential

Round Bracket - RAR 04

Type	: Bracket System
Use	: Indoor & Outdoor
Material	: Aluminium Alloy 6063-T6
Weight	: (Approx 0.650 kg.)
Finish	: Natural / Powder Coating / Woden Coating



Glass : 12 mm				
Recommended Railing Length Chart				
Glass Height	Balcony Length			
24 inch	10 ft	20 ft	30 ft	Unlimited
30 inch	10 ft	20 ft	30 ft	Unlimited
Bracket will be fitted at every 2 feet				

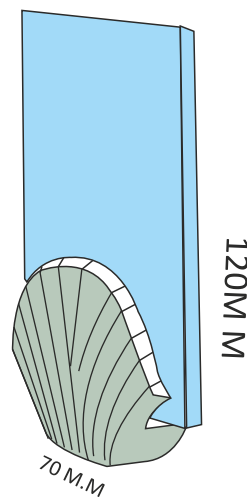


Frameless Top Mount

Essential

Flower Bracket - RAR 05

Type	: Bracket System
Use	: Indoor & Outdoor
Material	: Aluminium Alloy 6063-T6
Weight	: (Approx 1.050 kg.)
Finish	: Natural / Powder Coating / Woden Coating



Glass : 12 mm				
Recommended Railing Length Chart				
Glass Height	Balcony Length			
24 inch	10 ft	20 ft	30 ft	Unlimited
30 inch	10 ft	20 ft	30 ft	
36 inch	10 ft	20 ft		
42 inch	10 ft			
Bracket will be fitted at every 2 feet				

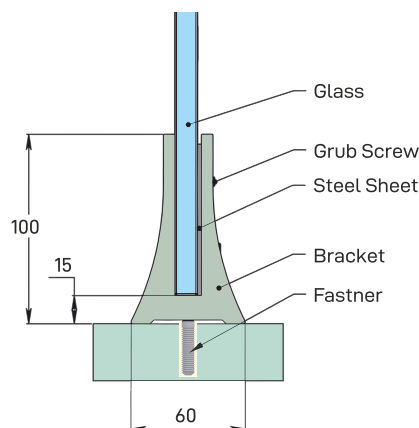
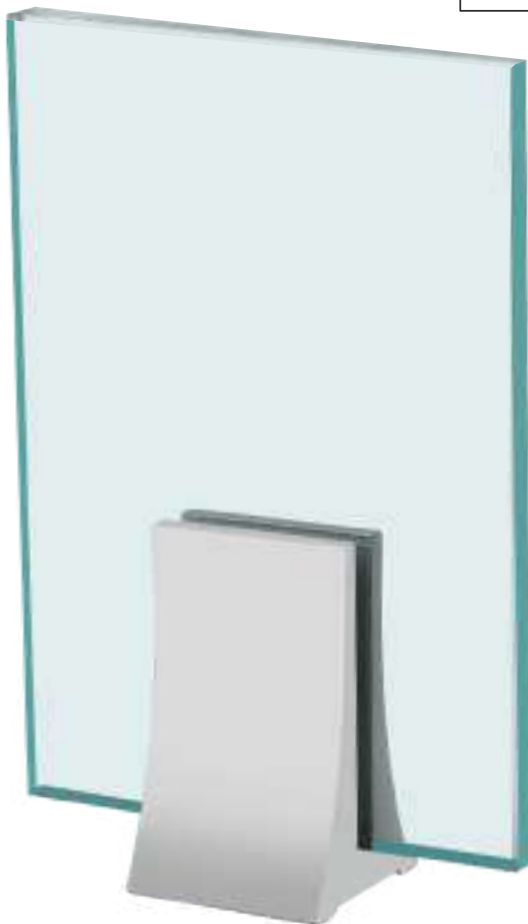


Frameless Top Mount

Essential

Tower Bracket - RAR 06

Type	: Bracket System
Use	: Indoor & Outdoor
Material	: Aluminium Alloy 6063-T6
Length	: Bracket (55mm)
Weight	: (Approx 0.330 gm.)
Finish	: Natural / Anodize / Powder Coating / PVDF Coating



Glass : 12 mm				
Recommended Railing Length Chart				
Glass Height	Balcony Length			
24 inch	10 ft	20 ft	30 ft	Unlimited
30 inch	10 ft	20 ft	30 ft	
36 inch	10 ft	20 ft		
42 inch	10 ft			
Bracket will be fitted at every 2 feet				

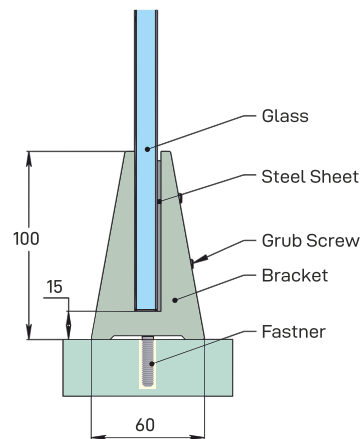


Frameless Top Mount

Essential

V Bracket - RAR 07

Type	: Bracket System
Use	: Indoor & Outdoor
Material	: Aluminium Alloy 6063-T6
Length	: Bracket (55mm)
Weight	: (Approx 0.480 gm.)
Finish	: Natural / Anodize / Powder Coating / PVDF Coating



Glass : 12 mm				
Recommended Railing Length Chart				
Glass Height	Balcony Length			
24 inch	10 ft	20 ft	30 ft	Unlimited
30 inch	10 ft	20 ft	30 ft	
36 inch	10 ft	20 ft		
42 inch	10 ft			
Bracket will be fitted at every 2 feet				

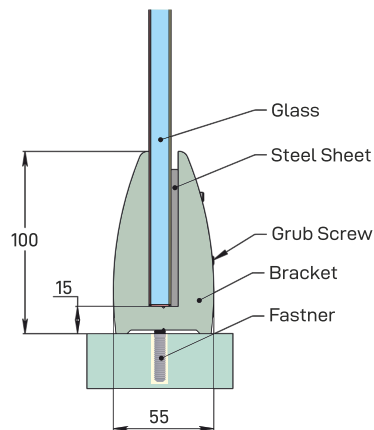


Frameless Top Mount

Essential

D Bracket - RAR 08

Type	: Bracket System
Use	: Indoor & Outdoor
Material	: Aluminium Alloy 6063-T6
Length	: Bracket (55mm)
Weight	: (Approx 0.490 gm.)
Finish	: Natural / Anodize / Powder Coating / PVDF Coating



Glass : 12 mm				
Recommended Railing Length Chart				
Glass Height	Balcony Length			
24 inch	10 ft	20 ft	30 ft	Unlimited
30 inch	10 ft	20 ft	30 ft	
36 inch	10 ft	20 ft		
42 inch	10 ft			
Bracket will be fitted at every 2 feet				

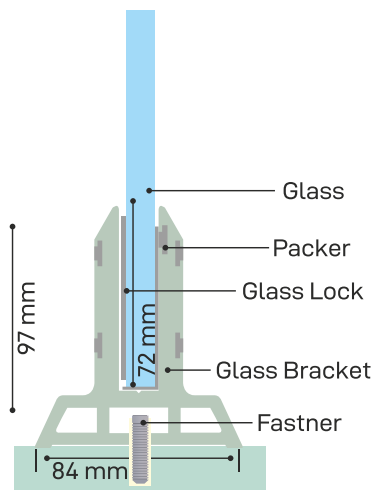


Frameless Top Mount

Essential

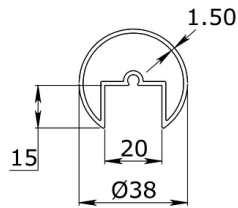
Heavy T Bracket - RAR 09

Type	: Bracket System
Use	: Indoor & Outdoor
Material	: Aluminium Alloy 6063-T6
Length	: Bracket (65mm)
Weight	: (Approx 0.440 kg.)
Finish	: Natural / Anodize / Powder Coating / PVDF Coating



Glass : 12 mm				
Recommended Railing Length Chart				
Glass Height	Balcony Length			
24 inch	10 ft	20 ft	30 ft	Unlimited
30 inch	10 ft	20 ft	30 ft	
36 inch	10 ft	20 ft		
42 inch	10 ft			
Bracket will be fitted at every 2 feet				

38 mm Round - RAT 01



Wall Canceled



Connector



Elbow

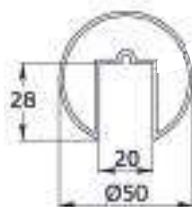


End Cap

Essential

Type	: Handrail System
Use	: Indoor & Outdoor
Material	: Aluminium Alloy 6063-T6
Length	: 13 ft./16 ft.
Weight	: 0.190 kg. (1 ft.) EPDM Gasket (Approx 0.055 gm./feet)
Finish	: Natural / Anodize / Powder Coating / PVDF Coating

50 mm Round - RAT 02



Wall Canceled



Connector



Elbow

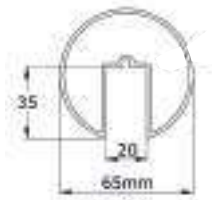


End Cap

Essential

Type	: Handrail System
Use	: Indoor & Outdoor
Material	: Aluminium Alloy 6063-T6
Length	: 13 ft./16 ft.
Weight	: 0.290 kg. (1 ft.) EPDM Gasket (Approx 0.085 gm./feet)
Finish	: Natural / Anodize / Powder Coating / PVDF Coating

65 mm Round - RAT 03



Wall Canceled



Connector



Elbow

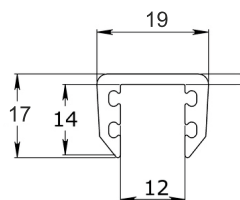


End Cap

Essential

Type	: Handrail System
Use	: Indoor & Outdoor
Material	: Aluminium Alloy 6063-T6
Length	: 13 ft./16 ft.
Weight	: 0.460 kg. (1 ft.) EPDM Gasket (Approx 0.110 gm./feet)
Finish	: Natural / Anodize / Powder Coating / PVDF Coating

Slim Pipe 17 X19 mm - RAT 04



Wall Canceled



Connector



Elbow

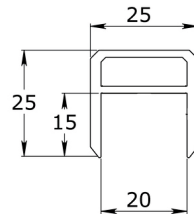


End Cap

Essential

Type	: Handrail System
Use	: Indoor & Outdoor
Material	: Aluminium Alloy 6063-T6
Length	: 13 ft./16 ft.
Weight	: 0.110 kg. (1 ft.)
Finish	: Natural / Anodize / Powder Coating / PVDF Coating

25 X 25 mm Top - RAT 05



Wall Canceled



Connector



Elbow

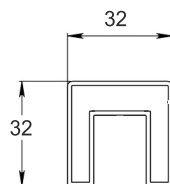
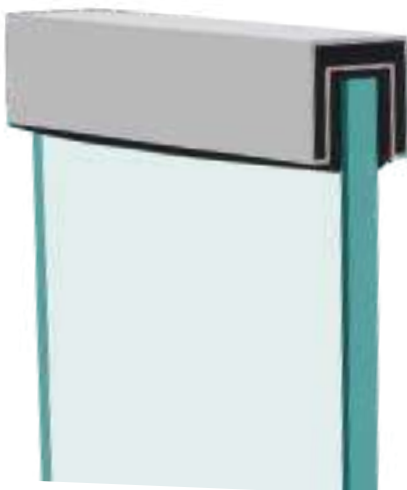


End Cap

Essential

Type	: Handrail System
Use	: Indoor & Outdoor
Material	: Aluminium Alloy 6063-T6
Length	: 13 ft./16 ft.
Weight	: 0.190 kg. (1 ft.) EPDM Gasket (Approx 0.055 kg/feet)
Finish	: Natural / Anodize / Powder Coating / PVDF Coating

32 X 32 mm Top - RAT 06



Wall Canceled



Connector



Elbow

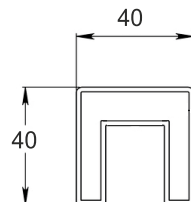


End Cap

Essential

Type	: Handrail System
Use	: Indoor & Outdoor
Material	: Aluminium Alloy 6063-T6
Length	: 13 ft./16 ft.
Weight	: 0.180/0.200 gm. (1 ft.) EPDM Gasket (Approx 0.080 gm./feet)
Finish	: Natural / Anodize / Powder Coating / PVDF Coating

40 X 40 mm Top - RAT 07



Wall Canceled



Connector



Elbow

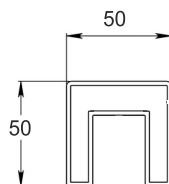


End Cap

Essential

Type	: Handrail System
Use	: Indoor & Outdoor
Material	: Aluminium Alloy 6063-T6
Length	: 13 ft./16 ft.
Weight	: 0.240/0.260 gm. (1 ft.) EPDM Gasket (Approx 0.085 gm./feet)
Finish	: Natural / Anodize / Powder Coating / PVDF Coating

50 X 50 mm Top - RAT 08



Wall Canceled



Connector



Elbow

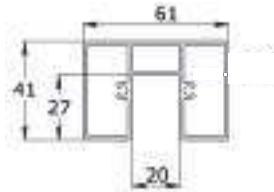
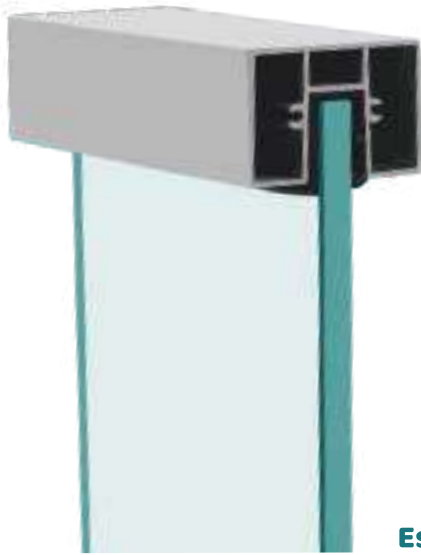


End Cap

Essential

Type	: Handrail System
Use	: Indoor & Outdoor
Material	: Aluminium Alloy 6063-T6
Length	: 13 ft./16 ft.
Weight	: 0.330/0.350 gm. (1 ft.) EPDM Gasket (Approx 0.110 gm./feet)
Finish	: Natural / Anodize / Powder Coating / PVDF Coating

60 X 40 mm Rectangle Top - RAT 09



Wall Canceled



Connector



Elbow

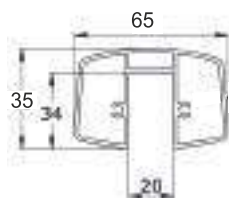


End Cap

Essential

Type	: Handrail System
Use	: Indoor & Outdoor
Material	: Aluminium Alloy 6063-T6
Length	: 13 ft./16 ft.
Weight	: 0.390/0.420 gm. (1 ft.) EPDM Gasket (Approx 0.120 gm./feet)
Finish	: Natural / Anodize / Powder Coating / PVDF Coating

65 X 35 mm Top - RAT 10



Wall Canceled



Connector



Elbow

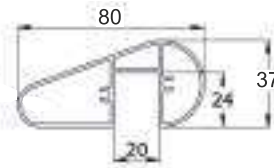


End Cap

Essential

Type	: Handrail System
Use	: Indoor & Outdoor
Material	: Aluminium Alloy 6063-T6
Length	: 13 ft./16 ft.
Weight	: 0.440/0.450 gm. (1 ft.) EPDM Gasket (Approx 0.110 gm./feet)
Finish	: Natural / Anodize / Powder Coating / PVDF Coating

Incline 80 X 37 mm - RAT 11



Wall Canceled



Connector



Elbow

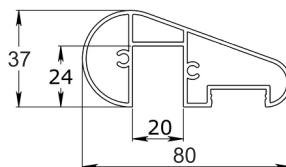


End Cap

Essential

Type	: Handrail System
Use	: Indoor & Outdoor
Material	: Aluminium Alloy 6063-T6
Length	: 13 ft./16 ft.
Weight	: 0.340/0.380 gm. (1 ft.) EPDM Gasket (Approx 0.070 gm./feet)
Finish	: Natural / Anodize / Powder Coating / PVDF Coating

Incline LED - RAT 12



Wall Canceled



Connector



Elbow

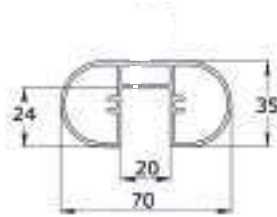


End Cap

Essential

Type	: Handrail System
Use	: Indoor & Outdoor
Material	: Aluminium Alloy 6063-T6
Length	: 13 ft./16 ft.
Weight	: 0.400 gm. (1 ft.) EPDM Gasket (Approx 0.070 gm./feet)
Finish	: Natural / Anodize / Powder Coating / PVDF Coating

Capcule 35 X 70 mm - RAT 13



Wall Canceled



Connector



Elbow

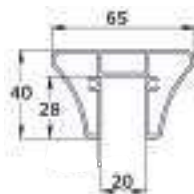


End Cap

Essential

Type	: Handrail System
Use	: Indoor & Outdoor
Material	: Aluminium Alloy 6063-T6
Length	: 13 ft./16 ft.
Weight	: 0.350 gm. (1 ft.) EPDM Gasket (Approx 0.070 gm./feet)
Finish	: Natural / Anodize / Powder Coating / PVDF Coating

65 X 40 mm Triangle - RAT 14



Wall Canceled



Connector



Elbow

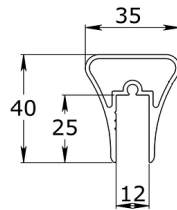


End Cap

Essential

Type	: Handrail System
Use	: Indoor & Outdoor
Material	: Aluminium Alloy 6063-T6
Length	: 13 ft./16 ft.
Weight	: 0.330 gm. (1 ft.) EPDM Gasket (Approx 0.085 gm./feet)
Finish	: Natural / Anodize / Powder Coating / PVDF Coating

35 X 40 mm Commercial - RAT 15



Wall Canceled



Connector



Elbow

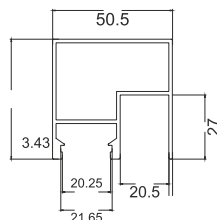


End Cap

Essential

Type	: Handrail System
Use	: Indoor & Outdoor
Material	: Aluminium Alloy 6063-T6
Length	: 13 ft./16 ft.
Weight	: 0.250 gm. (1 ft.)
Finish	: Natural / Anodize / Powder Coating / PVDF Coating

50 X 50 mm LED Pipe - RAT 16



Wall Canceled



Connector



Elbow

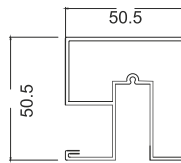


End Cap

Essential

Type	: Handrail System
Use	: Indoor & Outdoor
Material	: Aluminium Alloy 6063-T6
Length	: 13 ft./16 ft.
Weight	: 0.420 gm. (1 ft.) EPDM Gasket (Approx 0.100/0.110 gm./feet)
Finish	: Natural / Anodize / Powder Coating / PVDF Coating

50 X 50 mm Side LED - RAT 17



Wall Canceled



Connector



Elbow

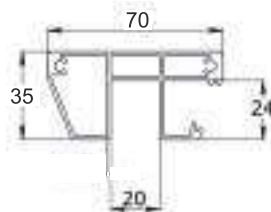


End Cap

Essential

Type	: Handrail System
Use	: Indoor & Outdoor
Material	: Aluminium Alloy 6063-T6
Length	: 13 ft./16 ft.
Weight	: 0.400 gm. (1 ft.) EPDM Gasket (Approx 0.085 gm./feet)
Finish	: Natural / Anodize / Powder Coating / PVDF Coating

70 X 35 mm 1 Side LED - RAT 18



Wall Canceled



Connector



Elbow

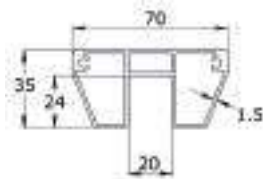


End Cap

Essential

Type	: Handrail System
Use	: Indoor & Outdoor
Material	: Aluminium Alloy 6063-T6
Length	: 13 ft./16 ft.
Weight	: 0.400 gm. (1 ft.) EPDM Gasket (Approx 0.070 gm./feet)
Finish	: Natural / Anodize / Powder Coating / PVDF Coating

70 X 35 mm Without LED - RAT 19



Wall Canceled



Connector



Elbow

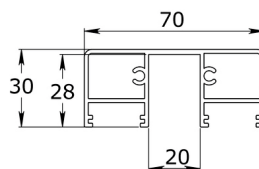


End Cap

Essential

Type	: Handrail System
Use	: Indoor & Outdoor
Material	: Aluminium Alloy 6063-T6
Length	: 13 ft./16 ft.
Weight	: 0.400 gm. (1 ft.) EPDM Gasket (Approx 0.110 gm./feet)
Finish	: Natural / Anodize / Powder Coating / PVDF Coating

70 X 30 mm 2 Side LED - RAT 20



Wall Canceled



Connector



Elbow

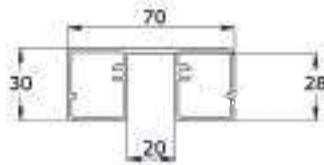


End Cap

Essential

Type	: Handrail System
Use	: Indoor & Outdoor
Material	: Aluminium Alloy 6063-T6
Length	: 13 ft./16 ft.
Weight	: 0.380 gm. (1 ft.) EPDM Gasket (Approx 0.085 gm./feet)
Finish	: Natural / Anodize / Powder Coating / PVDF Coating

70 X 35 mm Without LED - RAT 21



Wall Canceled



Connector



Elbow

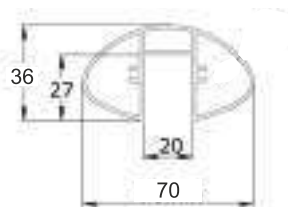


End Cap

Essential

Type	: Handrail System
Use	: Indoor & Outdoor
Material	: Aluminium Alloy 6063-T6
Length	: 13 ft./16 ft.
Weight	: 0.360 gm. (1 ft.) EPDM Gasket (Approx 0.085 gm./feet)
Finish	: Natural / Anodize / Powder Coating / PVDF Coating

70 X 36 mm Eye Pipe - RAT 22



Wall Canceled



Connector



Elbow

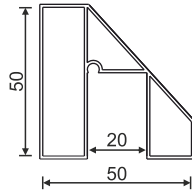


End Cap

Essential

Type	: Handrail System
Use	: Indoor & Outdoor
Material	: Aluminium Alloy 6063-T6
Length	: 13 ft./16 ft.
Weight	: 0.330 gm. (1 ft.) EPDM Gasket (Approx 0.085 gm./feet)
Finish	: Natural / Anodize / Powder Coating / PVDF Coating

50 X 50mm Incline - RAT 23



Wall Canceled



Connector



Elbow

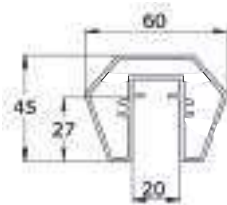


End Cap

Essential

Type	: Handrail System
Use	: Indoor & Outdoor
Material	: Aluminium Alloy 6063-T6
Length	: 13 ft./16 ft.
Weight	: 0.350 gm. (1 ft.) EPDM Gasket (Approx 0.085 gm./feet)
Finish	: Natural / Anodize / Powder Coating / PVDF Coating

60 X 45 mm Diamond Pipe - RAT 24



Wall Canceled



Connector



Elbow

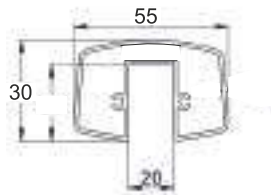


End Cap

Essential

Type	: Handrail System
Use	: Indoor & Outdoor
Material	: Aluminium Alloy 6063-T6
Length	: 13 ft./16 ft.
Weight	: 0.370/0.390 gm. (1 ft.) EPDM Gasket (Approx 0.110 gm./feet)
Finish	: Natural / Anodize / Powder Coating / PVDF Coating

55 X 30 mm Mini Oval - RAT 25



Wall Canceled



Connector



Elbow

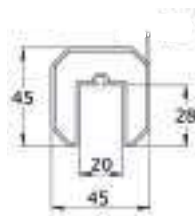


End Cap

Essential

Type	: Handrail System
Use	: Indoor & Outdoor
Material	: Aluminium Alloy 6063-T6
Length	: 13 ft./16 ft.
Weight	: 0.300 gm. (1 ft.) EPDM Gasket (Approx 0.060 gm./feet)
Finish	: Natural / Anodize / Powder Coating / PVDF Coating

45 X 45 mm Star Pipe - RAT 26



Wall Canceled



Connector



Elbow

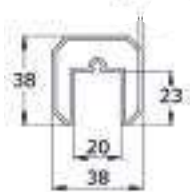


End Cap

Essential

Type	: Handrail System
Use	: Indoor & Outdoor
Material	: Aluminium Alloy 6063-T6
Length	: 13 ft./16 ft.
Weight	: 0.260/0.290 gm. (1 ft.) EPDM Gasket (Approx 0.085 gm./feet)
Finish	: Natural / Anodize / Powder Coating / PVDF Coating

38 X 38 mm Star Pipe - RAT 27



Wall Canceled



Connector



Elbow

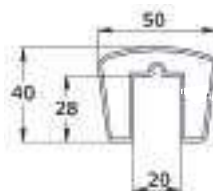


End Cap

Essential

Type	: Handrail System
Use	: Indoor & Outdoor
Material	: Aluminium Alloy 6063-T6
Length	: 13 ft./16 ft.
Weight	: 0.220/0.240 gm. (1 ft.) EPDM Gasket (Approx 0.080 kg/feet)
Finish	: Natural / Anodize / Powder Coating / PVDF Coating

50 X 40 mm Pipe - RAT 28



Wall Canceled



Connector



Elbow

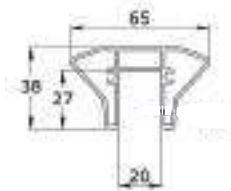


End Cap

Essential

Type	: Handrail System
Use	: Indoor & Outdoor
Material	: Aluminium Alloy 6063-T6
Length	: 13 ft./16 ft.
Weight	: 0.250/0.270 gm. (1 ft.) EPDM Gasket (Approx 0.080 gm./feet)
Finish	: Natural / Anodize / Powder Coating / PVDF Coating

65 X 38 mm Crystal Diamond - RAT 29



Wall Canceled



Connector



Elbow

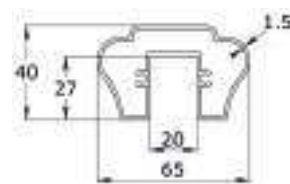


End Cap

Essential

Type	: Handrail System
Use	: Indoor & Outdoor
Material	: Aluminium Alloy 6063-T6
Length	: 13 ft./16 ft.
Weight	: 0.330 gm. (1 ft.) EPDM Gasket (Approx 0.085 gm./feet)
Finish	: Natural / Anodize / Powder Coating / PVDF Coating

Flower - RAT 30



Wall Canceled



Connector



Elbow



End Cap

Essential

Type	: Handrail System
Use	: Indoor & Outdoor
Material	: Aluminium Alloy 6063-T6
Length	: 13 ft./16 ft.
Weight	: 0.350 gm. (1 ft.) EPDM Gasket (Approx 0.085 gm./feet)
Finish	: Natural / Anodize / Powder Coating / PVDF Coating



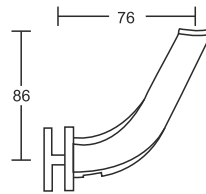
Step Bracket & Cover

L Connector for Plain Handrail

RAP-41-A



Weight : (Approx 0.240 gm.)



RAP-41-C

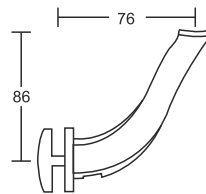


Weight : (Approx 0.260 gm.)

RAP-41-B



Weight : (Approx 0.220 gm.)





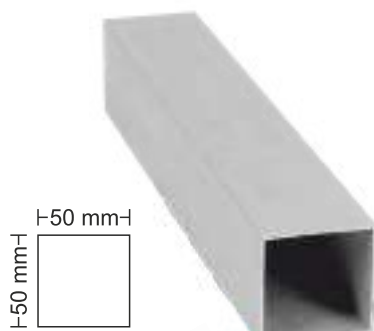
Step Bracket & Cover

Plain Pipe

40 X 40 MM



50 X 50 MM



38 MM



50 MM



40 X 40 mm

Weight : (Approx 0.180/0.200 gm.)

50 X 50 mm

Weight : (Approx 0.210/0.230 kg.)

38 mm

Weight : (Approx 0.130/0.150 gm.)

50 mm

Weight : (Approx 0.180/0.210 kg.)

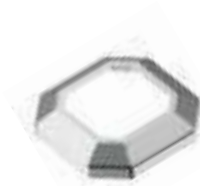


38 X 38 mm Octagon

Weight : (Approx 0.150/0.170 gm.)

45 X 45 mm Octagon

Weight : (Approx 0.190/0.290 kg.)





Modular Elbow



32 x 32 mm



40 x 40 mm



50 x 50 mm



38 x 38 mm



45 x 45 mm



40 mm Round



50 mm Round

Pipe to Pipe Connector



STRAIGHT CONNECTOR PATTI



L-CONNECTOR PATTI



MODULAR CONNECTOR PATTI

RA-1

RA-2

RA-3

RA-4



RA-1

10 x 100 Rcc PVC Wall Plug Screw Anchor

RA-2

12.5 x 100 Steel Anchor

RA-3

12.5 x 75 Steel Anchor

RA-4

10 x 75 Steel Anchor



Quality is costly...
...but lack of quality is costlier.



Elements of Glass Railing

Aluminium

Aluminium is light weight and equally strong metal.No other material can match the characteristics of aluminium. Application of Oxide layer protects the metal from rust and corrosion.The same is further strengthened by anodisation or PVDF Coating. Aluminium as a metal is 100% recyclable and non-toxic. It naturally withstands the effects of heat, cold, wind and sun.

Wedges

Wedges are small and critical component to Entire Glass railing system. We use highest quality Nylon to manufacture best quality possible Wedges and enhance the strength of the Railing system.

Fastener

Fasteners are the Component playing major roll for total strength and stability of the Railing System. We use only best quality Fasteners from Fischer and Hilti for our different railing Installation requirement.

Advantages

Aluminium Glass Railings are an ideal solution for balconies, stairs and building enclosures for high architectural standards, offering an impressive and functional result with Seamless View



📍 Rainbow aluminum extrusion co. Plot No.14 To 19 /2,3 GIDC- SOJITRA,
Anand -sojitra road. SOJITRA - 387 240

☎ +91 98250 64053

✉ radhekrishnasteel@gmail.com

🌐 www.rainbawaluminiumextrusion.com